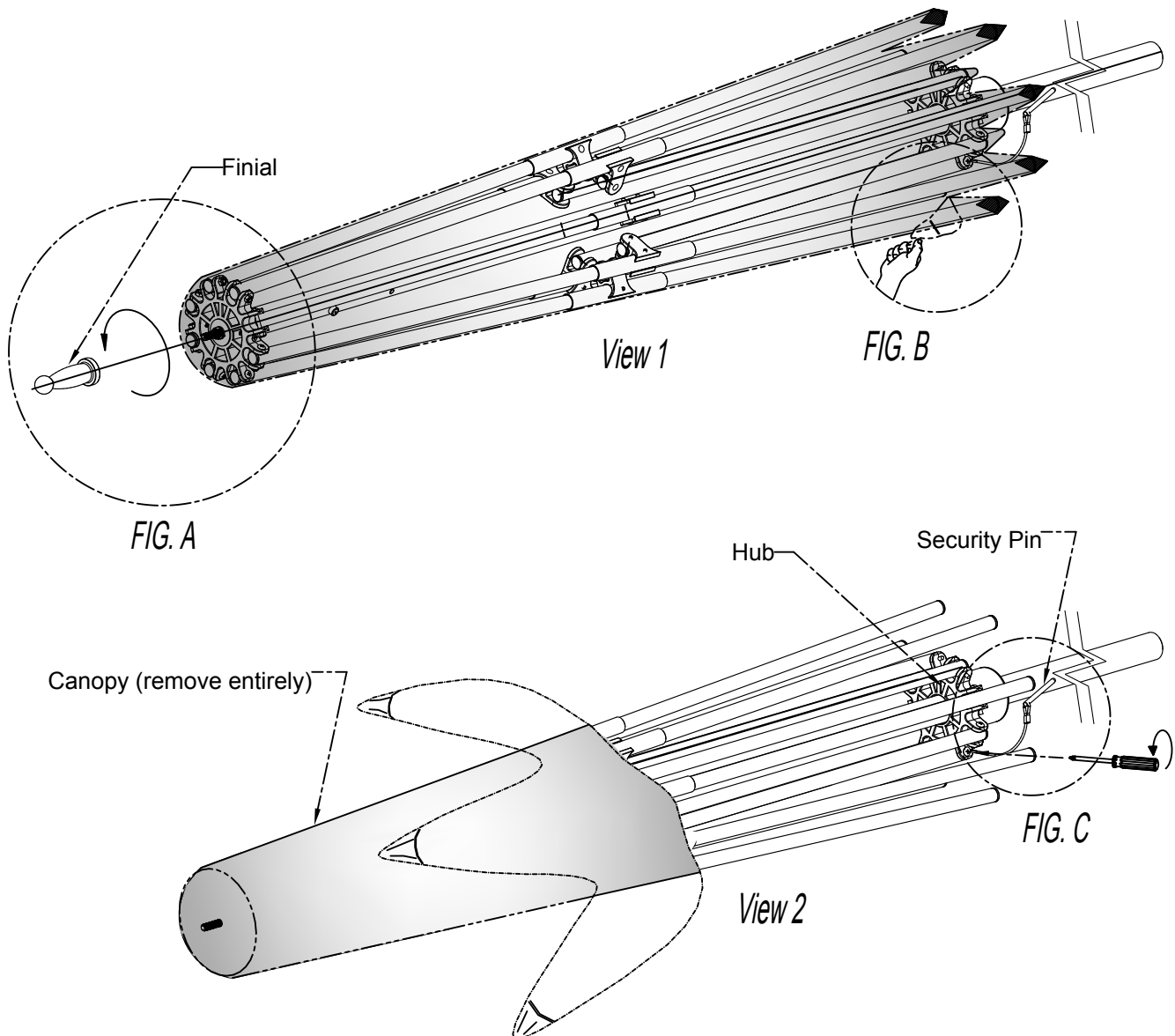


# INSTALLATION INSTRUCTIONS

## AUTO-LOC LIFT PULLEY INSTALLATION FOR OCEAN MASTER AND PLANTATION

1. Close umbrella, remove from base and place on the ground or hard surface.
2. Unscrew Finial counterclockwise (see FIG A).
3. Pull and lift to remove all end pockets (see FIG B).
4. Remove canopy entirely from frame (see View 2)
5. With a Phillips screw driver, remove security pin from sliding hub (see FIG C).



### Global headquarters

2900 NW 35th Street  
Miami, FL 33142 USA

t 305.634.5116  
f 305.634.5119

info@tuuci.com  
www.tuuci.com

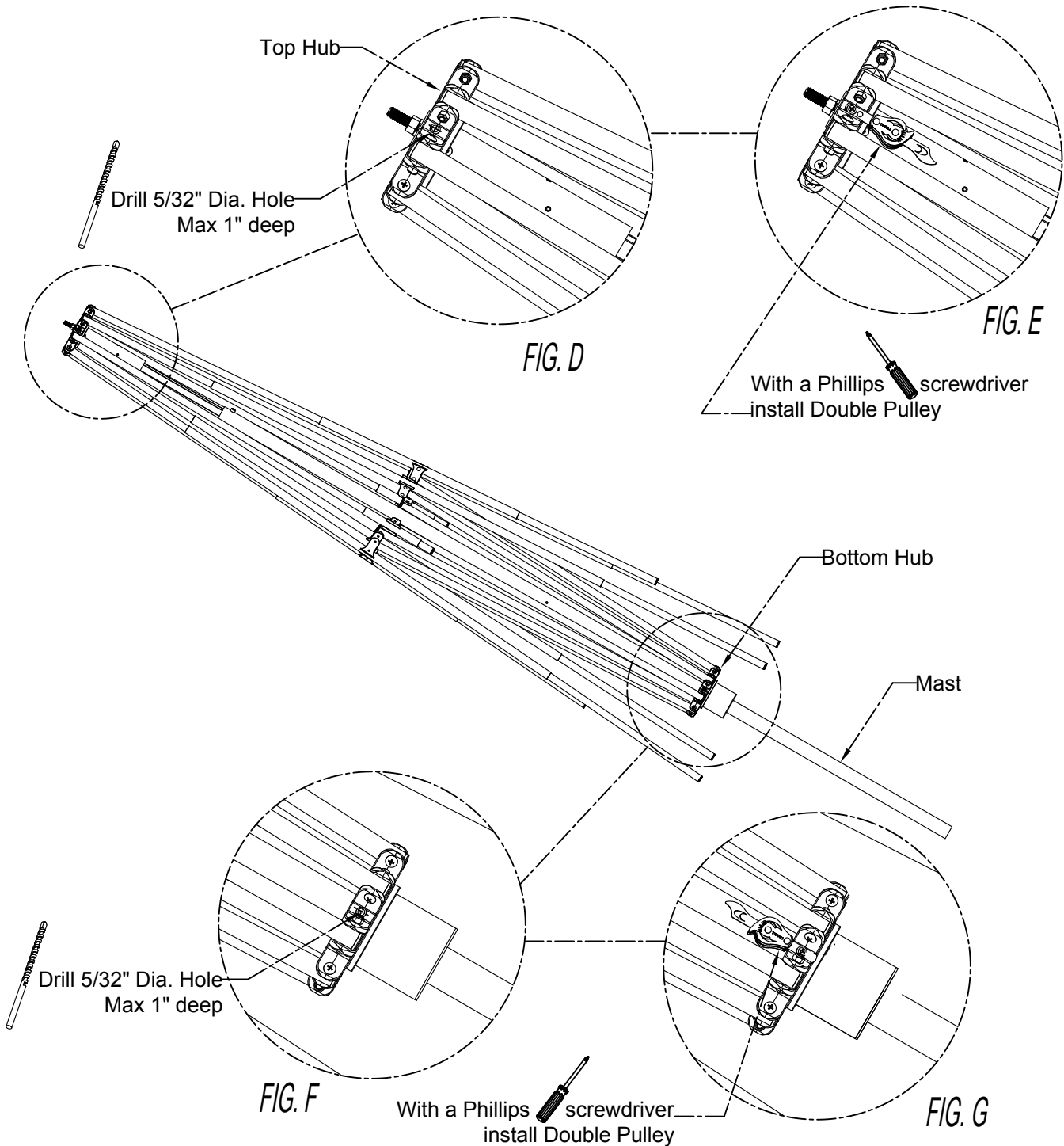
Version date: 04/04/2014 - REV:A - Page 1 of 4



# INSTALLATION INSTRUCTIONS

## AUTO-LOC LIFT PULLEY INSTALLATION FOR OCEAN MASTER AND PLANTATION

6. Drill a 5/32" (inch) diameter hole at center groove of "Top Hub" (see FIG D). NOTE: It is important not to drill past 1 inch deep (to prevent from drilling into center mast).
7. Install double pulley (see FIG E).
8. Repeat steps 6 and 7 for "Bottom Hub" (see FIG's F & G). Make sure Bottom Hub groove aligns with top groove.



### Global headquarters

2900 NW 35th Street  
Miami, FL 33142 USA

t 305.634.5116  
f 305.634.5119

info@tuuci.com  
www.tuuci.com

Version date: 04/04/2014 - REV A - Page 2 of 4



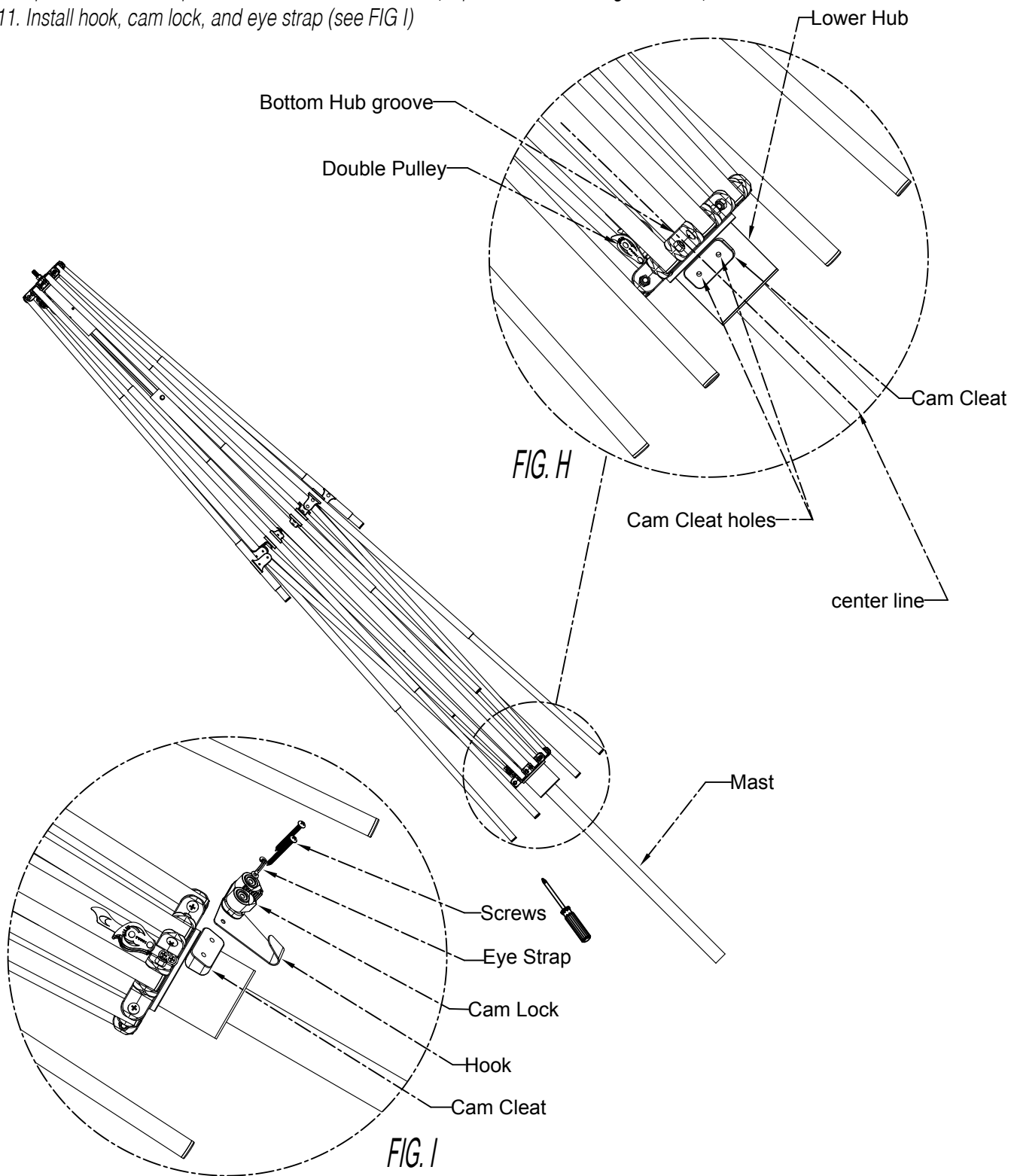
# INSTALLATION INSTRUCTIONS

## AUTO-LOC LIFT PULLEY INSTALLATION FOR OCEAN MASTER AND PLANTATION

9. Align cam cleat with "Bottom Hub" groove, centered opposite double pulley (see FIG H).

10. Drill a 5/32" (inch) diameter hole at center of each cam cleat hole (see FIG H). NOTE: is important not to drill past "Lower Hub" inner surface (to prevent from drilling into mast).

11. Install hook, cam lock, and eye strap (see FIG I)



### Global headquarters

2900 NW 35th Street  
Miami, FL 33142 USA

t 305.634.5116  
f 305.634.5119

info@tuuci.com  
www.tuuci.com

Version date: 04/04/2014 - REV. A - Page 3 of 4



# INSTALLATION INSTRUCTIONS

## AUTO-LOC LIFT PULLEY INSTALLATION FOR OCEAN MASTER AND PLANTATION

12. Follow steps 1 through 6 on this page to thread cord through pulley system.

13. Reinstall canopy and finial.

### STEP-4

Insert cord through top inner pulley

### STEP-2

insert cord through top outer pulley

### STEP-6

Step 6 - insert cord through pulley blade, then tie a knot to hold cord in position.

### STEP-5

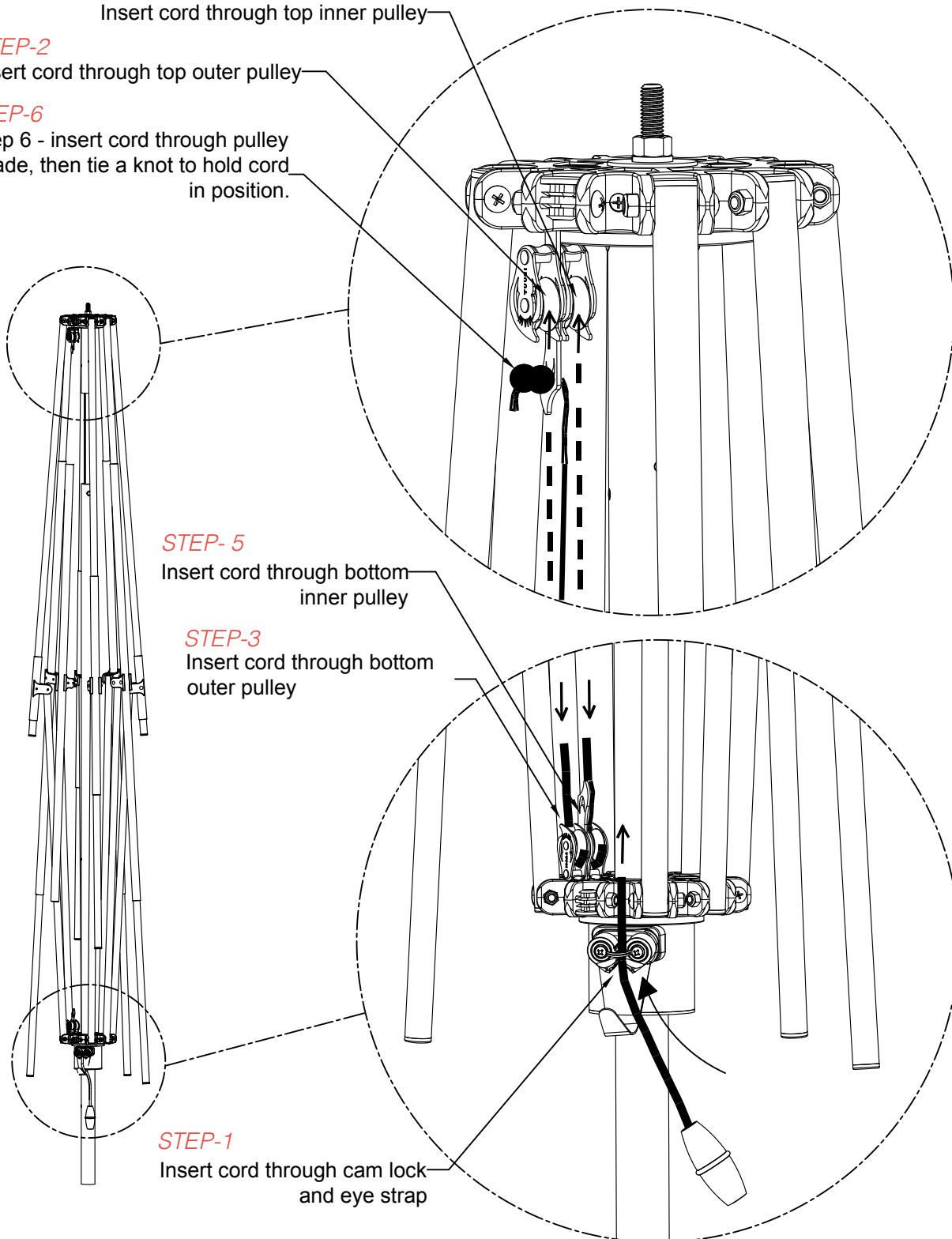
Insert cord through bottom inner pulley

### STEP-3

Insert cord through bottom outer pulley

### STEP-1

Insert cord through cam lock and eye strap



#### Global headquarters

2900 NW 35th Street  
Miami, FL 33142 USA

t 305.634.5116  
f 305.634.5119

info@tuuci.com  
www.tuuci.com

Version date: 04/04/2014 - REV A - Page 4 of 4

